

Instructions: Show all work. Some problems will instruct you to complete operations by hand, some can be done in the calculator. To show work on calculator problems, show the commands you used, and the resulting matrices. **Give exact answers** (yes, that means fractions, square roots and exponentials, and not decimals) unless specifically directed to give a decimal answer. This will require some operations to be done by hand even if not specifically directed to. Be sure to complete all parts of each question.

1. Use Cramer's Rule to find the solution of the system $\begin{cases} -5x_1 + 3x_2 = 9 \\ 3x_1 - x_2 = -5 \end{cases}$

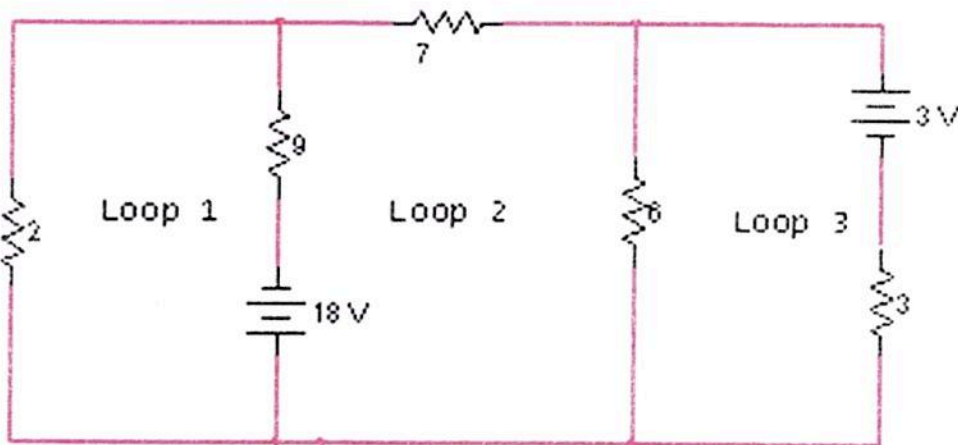
$$D = \begin{vmatrix} -5 & 3 \\ 3 & -1 \end{vmatrix} = 5 - 9 = -4$$

$$D_1 = \begin{vmatrix} 9 & 3 \\ -5 & -1 \end{vmatrix} = -9 + 15 = 6$$

$$D_2 = \begin{vmatrix} -5 & 9 \\ 3 & -5 \end{vmatrix} = 25 - 27 = -2$$

$$x_1 = \frac{D_1}{D} = \frac{6}{-4} = -\frac{3}{2} \quad x_2 = \frac{D_2}{D} = \frac{-2}{-4} = \frac{1}{2}$$

2. Write a matrix to determine the loop currents and use your calculator to solve the system. Round your answers to 2 decimal places.



$$18 = 9I_1 + 2I_1 - 9I_2 \quad \rightarrow \quad 11I_1 - 9I_2 = 18$$

$$-18 = -9I_1 + 9I_2 + 7I_2 + 6I_2 \quad \rightarrow \quad -9I_1 + 22I_2 - 6I_3 = -18$$

$$-3 = 3I_3 + 6I_3 - 6I_2 \quad \rightarrow \quad -6I_2 + 9I_3 = -3$$

$$\begin{bmatrix} 11 & -9 & 0 & | & 18 \\ -9 & 22 & -6 & | & -18 \\ 0 & -6 & 9 & | & -3 \end{bmatrix} \rightarrow$$

$$\begin{bmatrix} 1 & 0 & 0 & | & 1.23 \\ 0 & 1 & 0 & | & -0.50 \\ 0 & 0 & 1 & | & -0.66 \end{bmatrix}$$

$$\begin{aligned} I_1 &= 1.23 \\ I_2 &= -0.50 \\ I_3 &= -0.66 \end{aligned}$$

solution may vary per screen