



1d. Brute force has 12 possible distinct circuits

$$\frac{(5-1)!}{2} = 12$$

(2)

SHLMCS -  $159 + 830 + 245 + 329 + 684 = 2247$

SHLCMS -  $159 + 830 + 323 + 329 + 654 = 2295$

SHMLCS -  $159 + 854 + 245 + 323 + 684 = 2265$

SHMCLS -  $159 + 854 + 329 + 323 + 370 = 2035$

SHCMLS -  $159 + 801 + 329 + 245 + 370 = 1904$

SHCLMS -  $159 + 801 + 323 + 245 + 654 = 2182$

SLHMCS -  $370 + 830 + 854 + 329 + 684 = 3067$

SLHCMS -  $370 + 830 + 801 + 329 + 654 = 2984$

SLMHCS -  $370 + 245 + 854 + 801 + 684 = 2954$

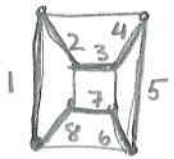
SLCHMS -  $370 + 323 + 801 + 854 + 654 = 3002$

SMHLCS -  $654 + 854 + 830 + 323 + 684 = 3345$

SMLHCS -  $654 + 245 + 830 + 801 + 684 = 3214$

minimum

2. a.



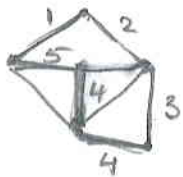
has a Hamiltonian circuit

b.



has a path, but not a circuit

c.



has a circuit

3.



$n=2$  has a Hamiltonian circuit



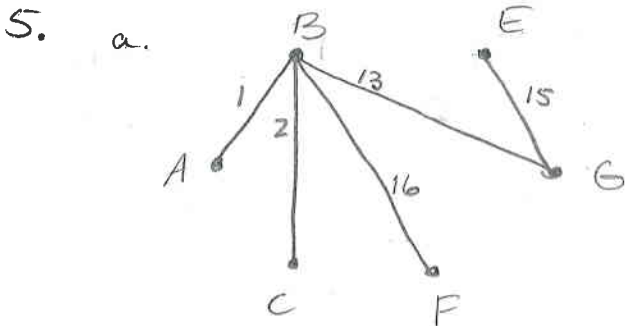
$n=3$  has a Hamiltonian circuit

3 cont'd

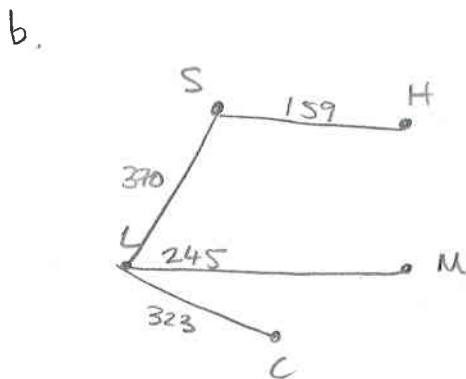


$n=4$  has a Hamiltonian circuit

all values of  $n$  appear to have at least one Hamiltonian circuit.



= 47



= 1097

6. a. Brute Force is inefficient (takes a lot of calculating) but is optimal (gives true minimum)

b. Nearest Neighbor is efficient (little calculation) but is approximate (does not guarantee true minimum)

c. Cheapest Link is efficient (little calculation) but is approx.

d. Kruskal's is both efficient and optimal.